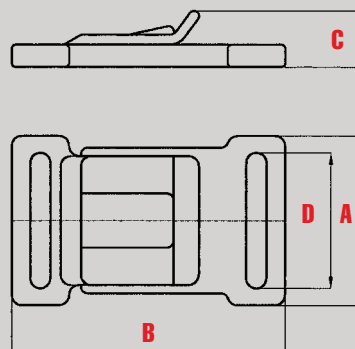
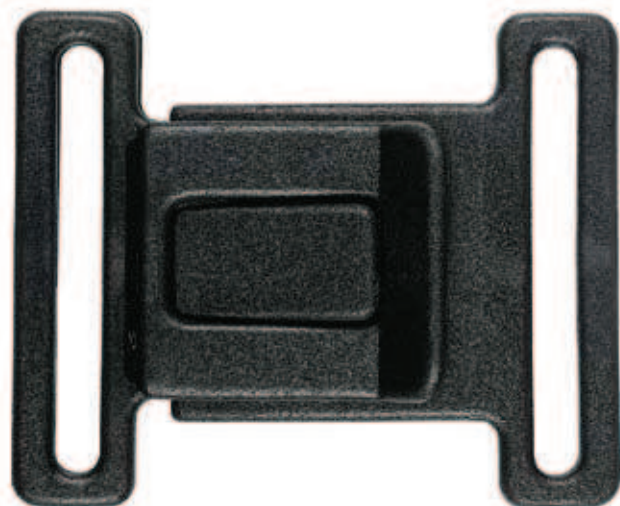
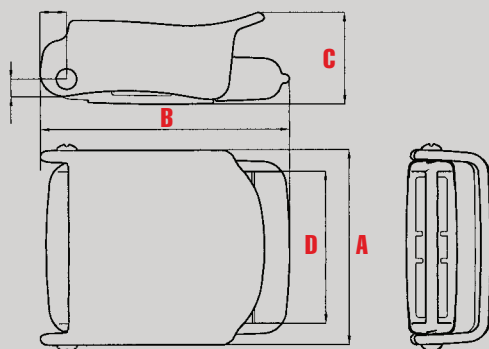


● **FM**



MOD.	MAT.	COL.	A	B	C	D
<b>FM 40</b>	A-N	B+I.R.	49.5	81	16.5	40
<b>FM 55</b>	A-N	B+I.R.	67.5	81.5	16.5	57.3

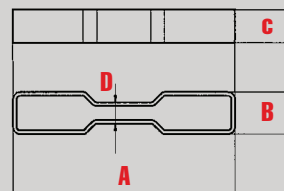
● **795 CFM**



MOD.	MAT.	COL.	A	B	C	D
<b>795 CFM 50</b>	N	Std.	65.5	83.3	30.7	51

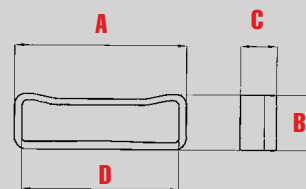


**PSM 56**



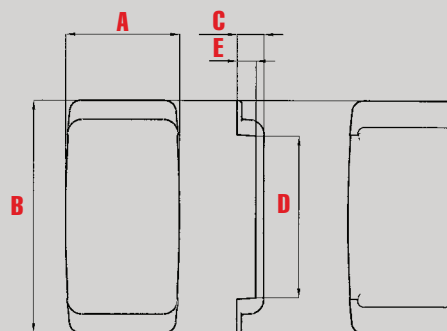
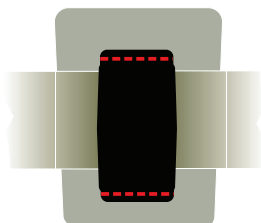
MOD.	MAT.	COL.	A	B	C	D
<b>PSM 56</b>	A	B+I.R.	60	11.5	9	4

**PSM 50**



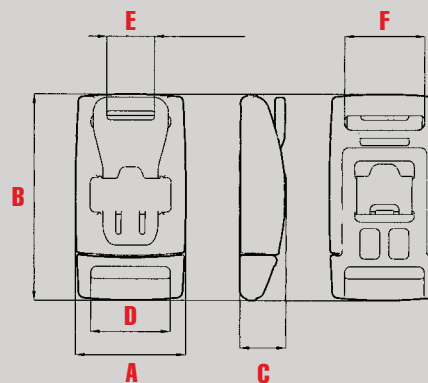
MOD.	MAT.	COL.	A	B	C	D
<b>PSM 50</b>	N	B+I.R.	56.7	18.4	12	52

**PCM**



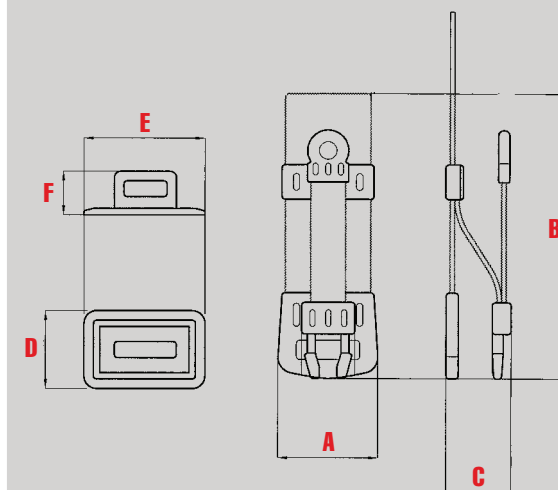
MOD.	MAT.	COL.	A	B	C	D	E
<b>PCM 50</b>	N	B+I.R.	36	74	8.5	51.5	6

**SRS 25**



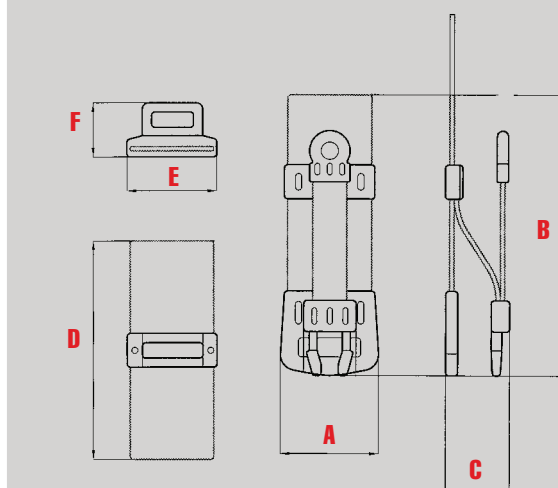
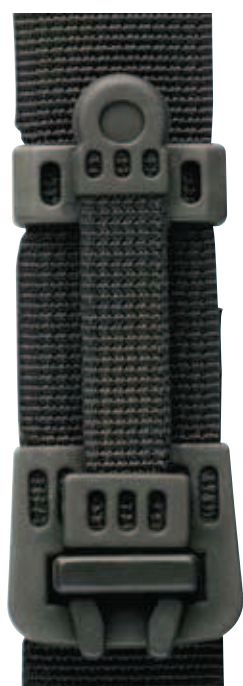
MOD.	MAT.	COL.	A	B	C	D	E	F
<b>SRS 25</b>	A	B+I.R.	36	67.5	15	26	16.6	26

SR 1



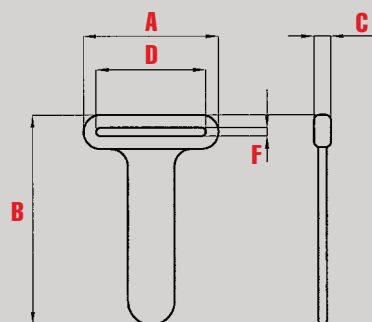
MOD.	MAT.	COL.	A	B	C	D	E	F
SR 1	N	B+I.R.	31.5	90	9.8	24.5	38	13.8

SR 2



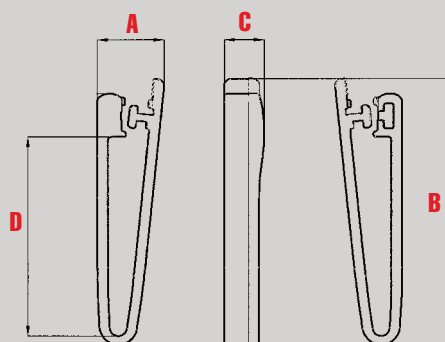
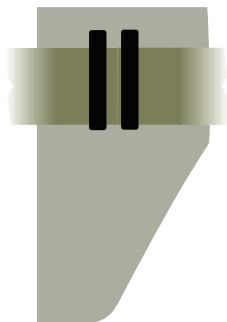
MOD.	MAT.	COL.	A	B	C	D	E	F
SR 2	N	B+I.R.	31.5	90	9.8	71	29	17.5

## TEE BAR



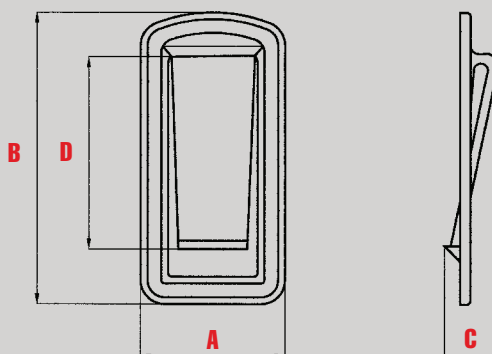
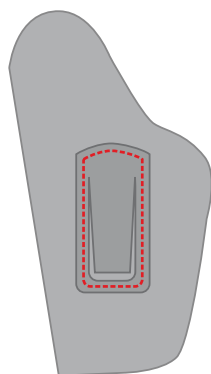
MOD.	MAT.	COL.	A	B	C	D	F
<b>TEE BAR</b>	A	B+I.R.	31.5	49.5	3.9	25.6	2

## ATM



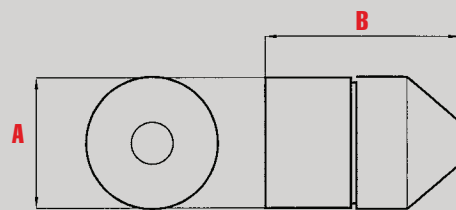
MOD.	MAT.	COL.	A	B	C	D
<b>ATM 55</b>	N	B+I.R.	19.2	76.8	11.5	57.5

## GPP



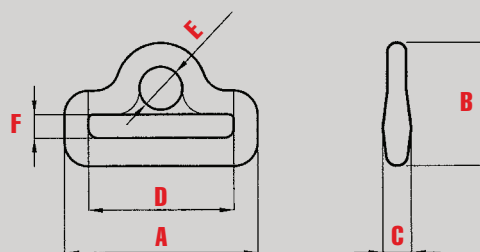
MOD.	MAT.	COL.	A	B	C	D
<b>GPP 50</b>	NIR	B+I.R.	42	85	15.5	56

**CONTENITORE FONDINA PISTOLA**



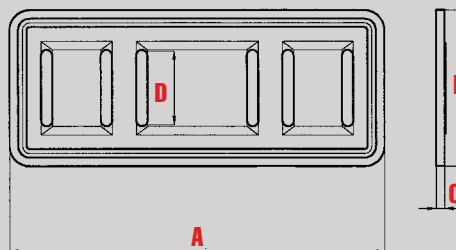
MOD.	MAT.	COL.	A	B		
CONT. FOND. PISTOLA	N	B+I.R.	Ø 34.5	51.7		

**RCF**



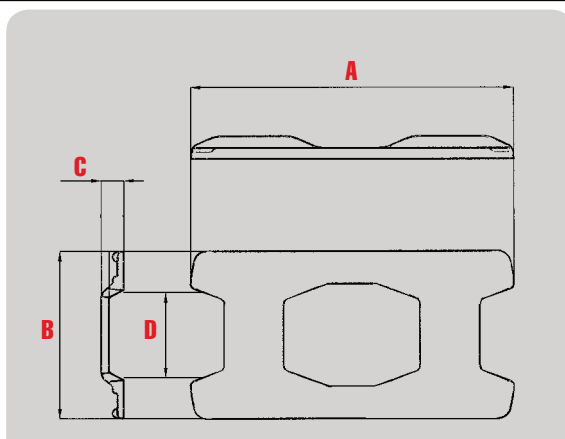
MOD.	MAT.	COL.	A	B	C	D	E	F
RCF 30	N	B+I.R.	40.5	26	6	30.5	Ø 9	5

**PC6L**



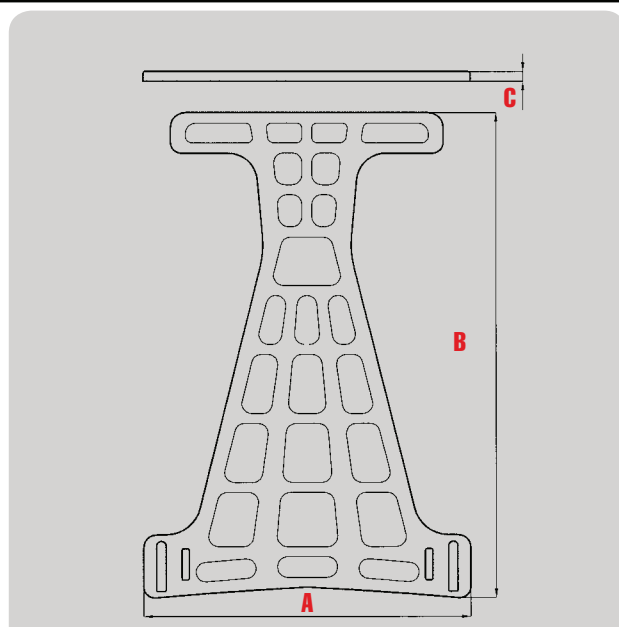
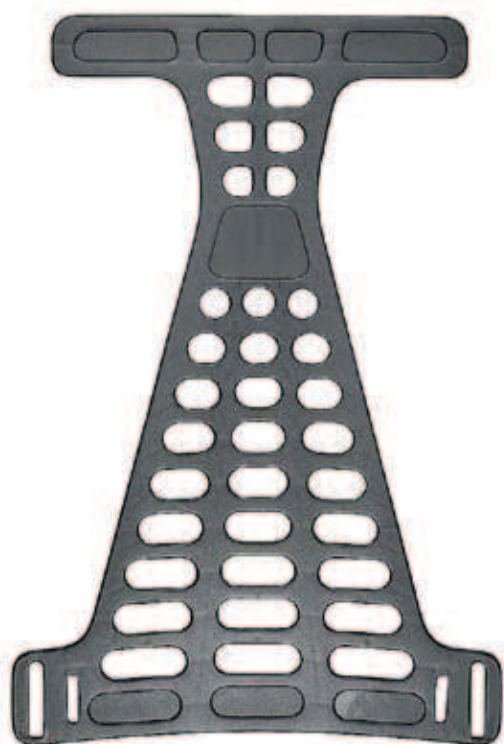
MOD.	MAT.	COL.	A	B	C	D		
PC6L 25	E	B+I.R.	132	55	3	26		

**PORTE SKY**



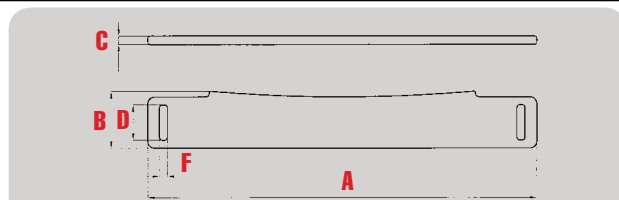
MOD.	MAT.	COL.	A	B	C	D
<b>PORTE SKY</b>	E	B+I.R.	97	50	6.8	25.5

**BM**



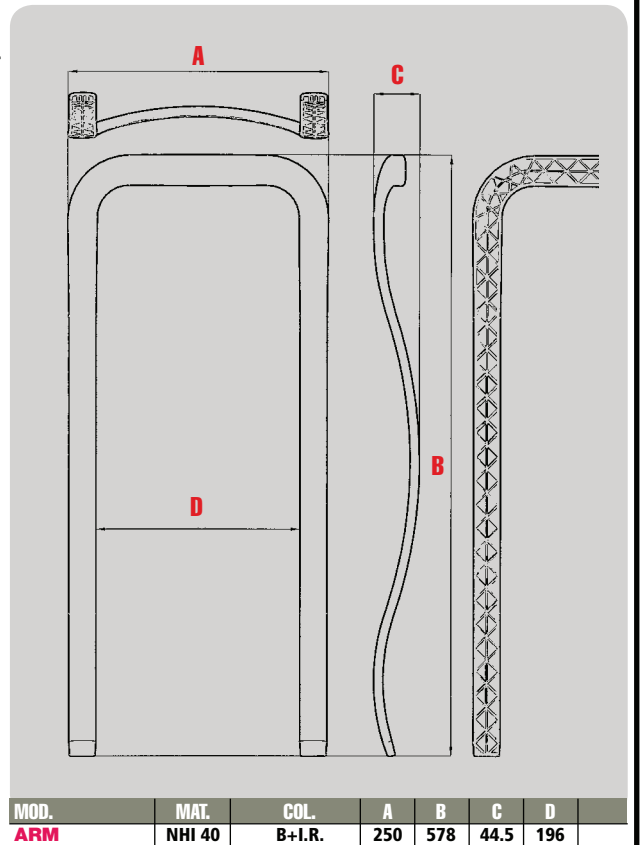
MOD.	MAT.	COL.	A	B	C
<b>BM</b>	NHI 40	B+I.R.	331	492	10

**STM**



MOD.	MAT.	COL.	A	B	C	D	F
<b>STM</b>	N	B+I.R.	50	34.5	7.5	31	7.1

**ARM**



**BPM**

